

CC 9045

GB Index

Introductory information	22
1. General	22
2. Security guidelines	22
Installation of the hands-free car kit	24
3. Scope of supply	24
4. Positioning of the 3-button remote control	26
5. Connecting the Electronic box	27
6. Installation of the audio switchbox AC 5120	30
7. Installation instructions for the fuses	34
Operating guidelines	35
8. Switch-on	35
9. Establishing a <i>Bluetooth</i> [®] connection	35
10. 3-Button Remote Control	37
11. Play music with A2DP	39
Further Information	40
12. Service	40

1. General

Dear customer,

Congratulation on purchasing a BURY hands-free car kit. You have chosen a high quality product that is extremely easy to use. All aspects of BURY production through to sales and service are subject to strict quality management according to DIN EN ISO 9001. All BURY hands-free car kits meet CE and e1 security standards. Furthermore, we provide a two-year warranty on all components.

Please read the operating manual carefully so that you can fully enjoy your BURY hands-free car kit. If you have any further questions concerning installation or operation of your car kit, please contact your dealer. He will be happy to give you reliable advice. You can also contact our hotline. Our phone and fax numbers are listed in the chapter Service at the end of the operating instructions.

Have a good trip!

2. Security guidelines

Installation – who and where



The installation of this system can be carried out by yourself but please observe the installation requirements of the automotive manufacturer (VAS 1978). During the installation, park the car at a place where the road traffic is not impaired. We recommend to let a specialised workshop perform the installation.

Power supply



This system has been designed for the use in vehicles with an on-board supply system of 12 volts (passenger car). If you intend to install the device in a vehicle with an on-board supply system of 24 volts (lorry), please use a voltage converter. If you have queries regarding this subject, please contact our hotline.

Position, volume

Install the components of the device in the vehicle so that your field of vision is not impaired and the components are not mounted in the impact zone of the passenger compartment or in the airbag inflation zones. The removal of coverings (with and without airbags) or components of the dashboard requires – in some cases – special tools and special knowledge.



Intended use

We shall not be liable for damages or malfunctions due to improper use of the navigation system. Therefore, do not expose the device to moisture, extreme temperatures or shocks and carefully follow the procedure described in the installation and operating guidelines.



Use while driving

Operate the system only when the situation allows it and when you do not endanger, harm, constrain, or annoy other road users. The volume of the device has to be set in a way that exterior noise is still audible.

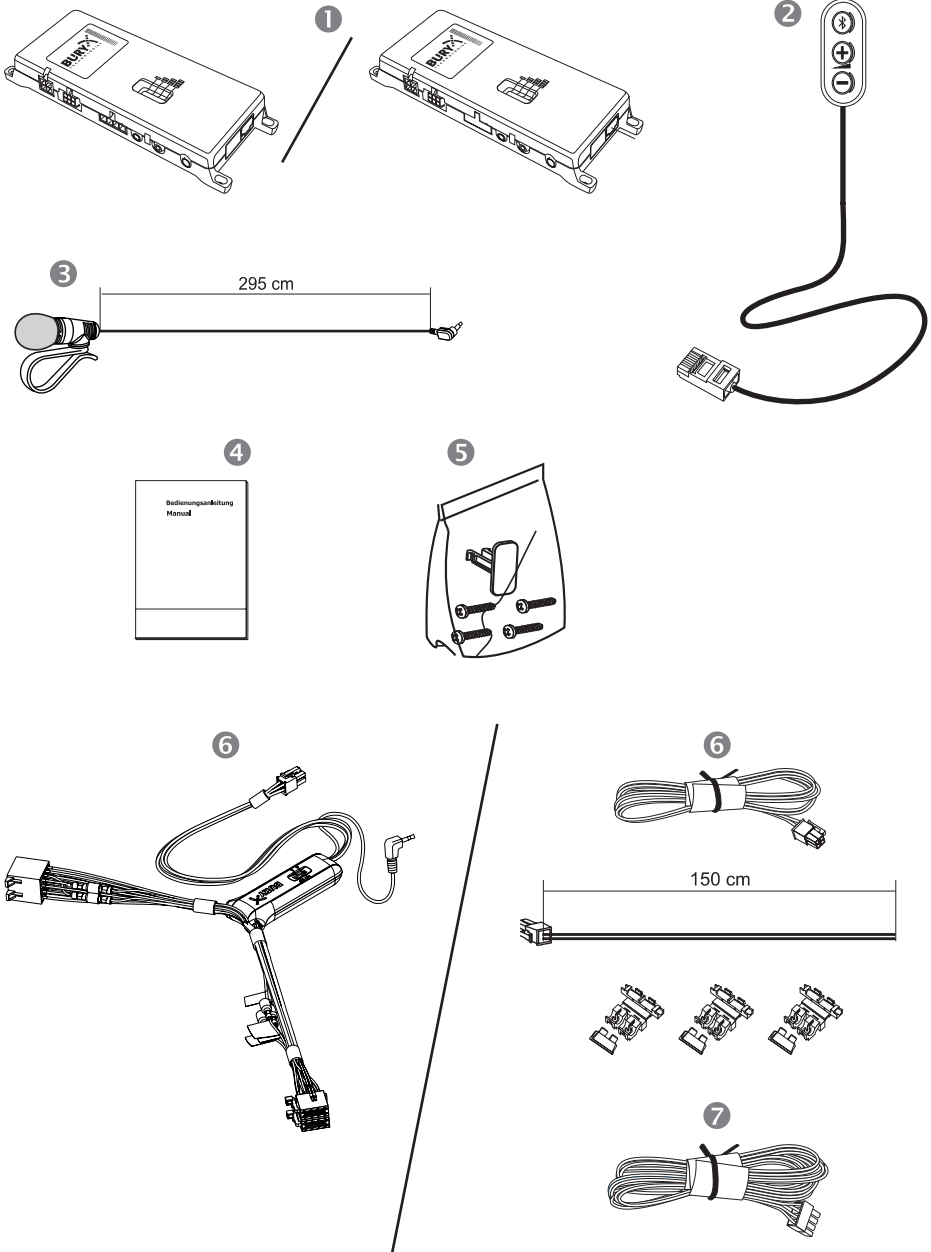
Faults

Do not commission the device if you detect or assume a defect. In this case, contact a Bury specialised dealer or our hotline. Improper repair efforts can be dangerous for you. Therefore, only skilled personnel may perform inspections.

Important:

- ▶ The driver is ultimately responsible for the safe operation and control of their vehicle at all times. You should never use a hand held phone, including sending or reading text or picture messages, while driving.
- ▶ Research indicates that there is a risk to safety when the driver of a motor vehicle is distracted and using a mobile phone while driving can be a distraction.
- ▶ The manufacturer strongly recommends that you use a hands-free solution when driving.

3. Scope of supply



Description of the components:

- 1) Electronics box
(with or without an internal switch box, depending on version)
- 2) Remote control
- 3) Microphone
- 4) Installation and Operating manual
- 5) Fixing screws for electronics box, rider

Variant 1:

- 6) External loudspeaker switch-box AC 5120

Variant 2:

- 6) Power supply cable with fuses
- 7) Cable for internal loudspeaker switch box

Please note:

► If certain components are added or omitted you will receive the corresponding information on a separate enclosure.

4. Positioning of the 3-button remote control

Step 1:

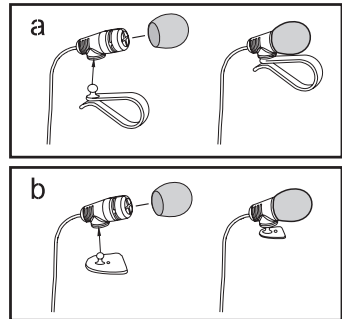
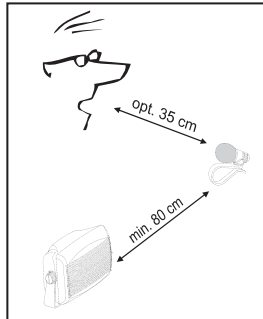
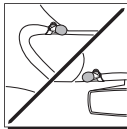
First of all, choose the most suitable location for the 3-button remote control by positioning it or holding it at different locations in the vehicle yourself. Once you have found a suitable position for the remote control, you can attach it / mount it appropriately. Please use the cleaning cloth provided to remove any grease or dirt from the surfaces. Please remember that in the event of strong temperature variations, depending on the structure and quality, the colours of the surfaces may fade during subsequent use.

Important:

► The remote control can only be stuck down once. Damage to its adhesive surface may occur when it is removed.

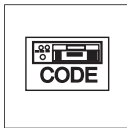
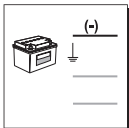
Step 2:

Depending on the vehicle type and its equipment (e.g. airbags), it is reasonable to install the microphone either at the A-pillar, at the sun shield or at the roof interior. For details about the equipment features please refer to the vehicle documents.



Step 3:

Please lay the cables in a way that they do not lie/hang unsecured in the vehicle and that they may not influence the conducting of the vehicle. When laying a cable, please take care that it is not under traction stress but that it has some tolerance. Avoid crushing the cable as damages of the insulation can be caused by friction/rubbing.



Step 4:

Install the electronics box at a convenient place in the vehicle. This can e.g. be behind the radio, in the glove box, or in the centre console. Please mind that you can access the connections of the box without

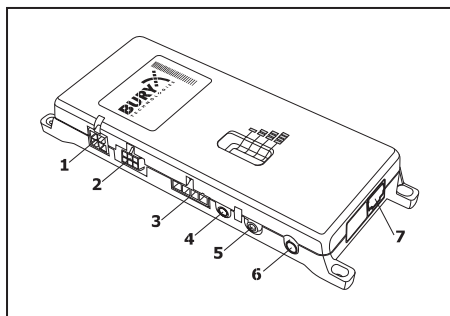
difficulty. Before connecting the components to the electronics box you should branch off the battery for safety reasons. In doing so, take into account that there might be a radio coding (confer radio manual).

Important:

► Please install the electronics box behind a cover or somewhere you can only reach by opening or unfastening a protective cover / a cover. The terminal box must not hang loosely in the vehicle.

5. Connecting the Electronic box

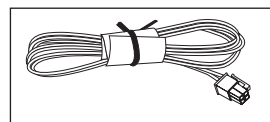
The additional components of the hands-free car kit are connected to the electronics box. The following connections are provided:



1 - Power supply

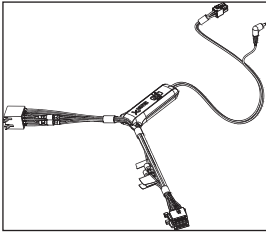
Version 1, with integrated loudspeaker switch box:

The power supply of the hands-free car kit is established via a 4-core cable. Connect the black (clamp 31 – minus), the red (clamp 30 – steady plus) and the blue cable (clamp 15 – ignition plus) to the power supply of your radio (where required via the cigarette lighter or the fuse box). After connection to the counterpart, the yellow cable provides for radio muting during a phone conversation. Please connect the white Molex connector with connection 1.



Attention:

► If you also connect the blue cable to clamp 30, the hands-free car kit will be permanently supplied with power. If the vehicle is not running for a longer period, this could lead to a discharge of the car battery.



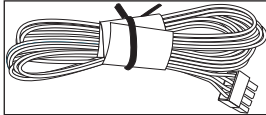
Version 2, with external loudspeaker switch box:

Refer to the separate chapter:

Installation of the audio switch box AC 5120

2 - System 9 Socket

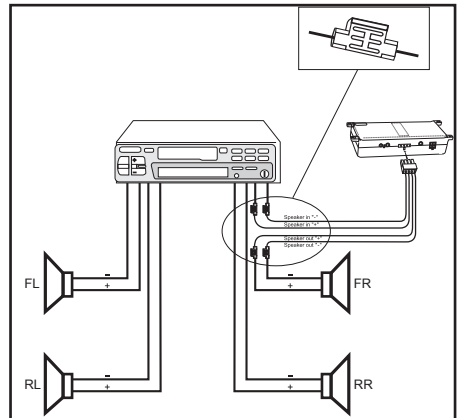
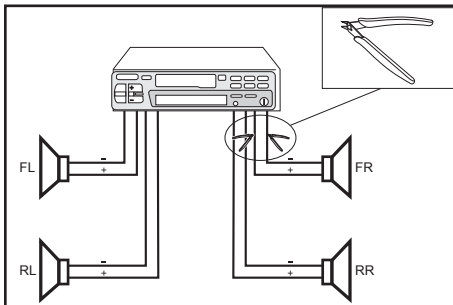
Socket for connection of the basePlate suitable for the CC 9045 from the System 9.



3 - Voice output of the hands-free car kit

Version 1, with integrated loudspeaker switch box:

The cable provided serves the purpose of transferring the voice output to one of the loudspeakers in the car. In the best case scenario, this speaker should be on the passenger side of the vehicle in order to provide sufficient distance from the microphone and to prevent possible echoes from occurring. The jack plug remains unused during the use of the internal loudspeaker switch box.



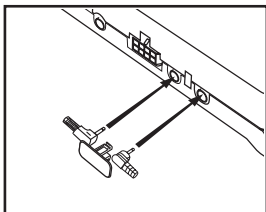
Version 2, with external loudspeaker switch box:

Refer to separate chapter:

Installation of the audio switch box AC 5120

4 - Microphone input

This is where you plug in the microphone jack. After connection 3 has already been occupied use the rider. This ensures that neither of the jacks is able to loosen as a result of vibrations.



5 - Speaker output

Please connect the 3.5 mm jack plug of the external BURY loudspeaker (available as an accessory) to this socket.

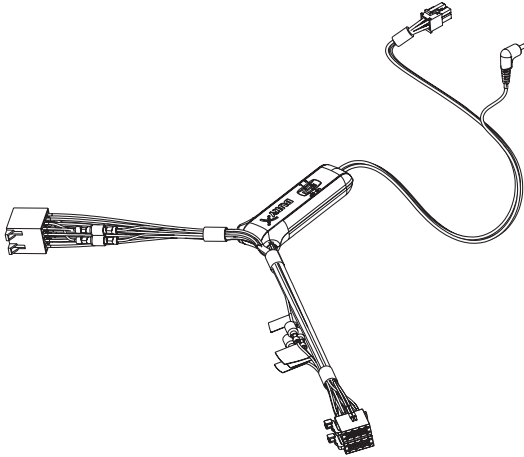
6 - AUX-Out connection

Stereo music is output at connection 2. Here you can connect the AUX-In input of your radio (if existent) via adapters available at local retailers. For the connection to the hands-free car kit, the adapter must have a 3.5 mm stereo jack. Depending on the car radio, the other end must be selected otherwise. If your radio does not have an AUX-In, you can use the car CD/MP3 adapter from the BURY accessories programme to enable the reproduction of music via your radio.

7 - Input for the remote control

Please connect the remote control jack to this socket. Tighten at least one of the two fixing screws hand-tight so that this plug cannot become unplugged as a result of vibrations.

6. Installation instructions switching box AC 5120



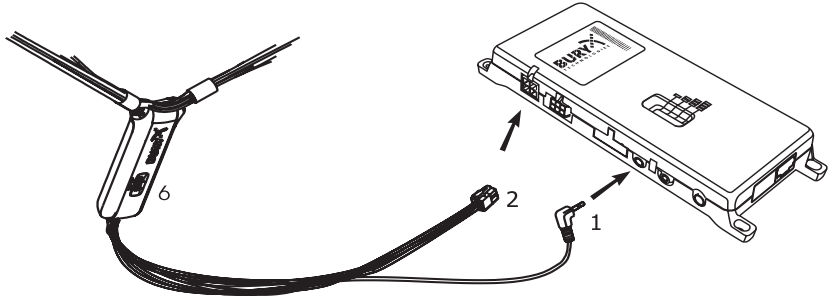
With the AC 5120 speaker switchbox, you get the possibility of being able to mute the feedback of your car radio / CD player etc. and to transfer the voice output of your conversation partner during a telephone call to your vehicle's speakers. This means that the installation of additional speakers isn't required. If your radio has a mute function, then the vehicle speakers are turned onto mute using the radio. If your car radio doesn't have this function, then the signals will be suppressed by the speaker switchbox. You can use the AC 5120 through the connections that your BURY hands free car kit offers, which guarantee voltage supply via molex plugs and also have a speaker output.

If you want to make a telephone call in the hands-free mode, your car radio will be automatically switched on to mute (for the exact operation of your hands free car kit, please read your HFCK user manual). The Audio switchbox now uses one or two loudspeakers in your car for the telephone conversation, even if your radio is switched off. This function will be automatically activated after the installation of the unit, there are no subsequent manual settings required.

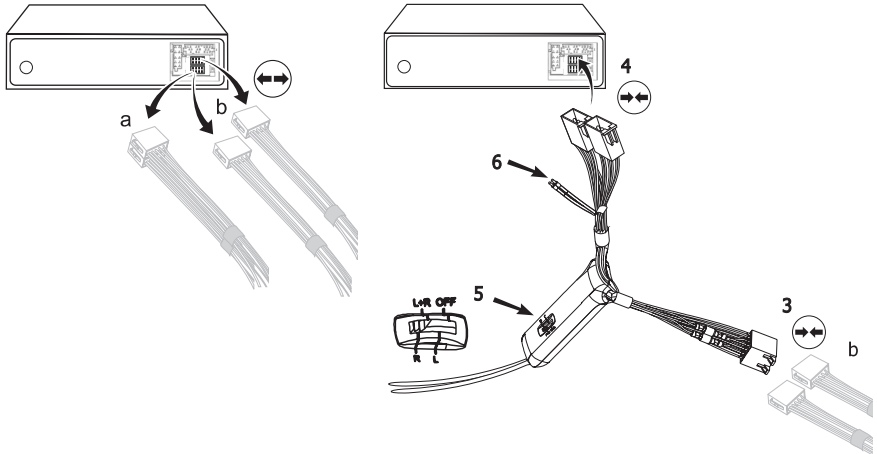
Some mobile phones do not support a radio mute function. Please read your telephone user manual for more details. You can find out more detailed information at your specialist retailer, in the internet under www.bury.com, or over our telephone hotline.

After checking that all the cable lengths are sufficient, decide where you are able to attach the Audio switchbox. Now secure the Audio switchbox so that it isn't able to flap about and/or rattle against other parts of your vehicle.

Now connect the audio switchbox plug (1) to the hands-free car kit. (The other, smaller box is used by the audio switchbox plug for the microphone.) Now connect the white power out cable connector (2) of your Audio switchbox to the power supply socket of your hands-free kit.



Now disconnect the (a) and/or the (b) loudspeaker connector from the speaker socket on the radio at the back. Connect this connector with the suitable socket (3) on the AC 5120. Now connect the plug (4) with the radio.

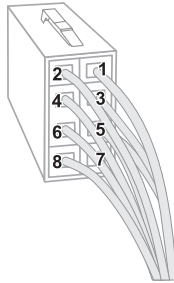


Depending on the switcher position (5), the voice of your conversation partner will be fed back through either the front right speaker, the front left speaker, or through both of the front loudspeakers. The 'OFF' position is to be selected if you connect the switchbox to the radio using the 'Phone-IN' cable (6).

The two 'Phone-In' cables are marked accordingly and must be plugged into the appropriate connections on the radio (blue, green or yellow). In this regard, please refer to the instructions concerning the connection configuration of your car radio in your car radio handbook. In lots of radios, the volume level (feedback of your conversation partner) can be controlled via the phone input and the selection of the loudspeaker.

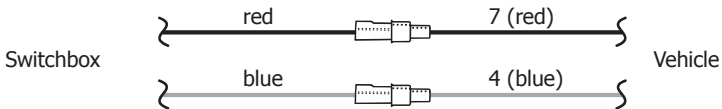
Different connections of the ISO plug on the radio

The layout of the pins on the ISO plug used in a car depends on the type of car. Before using the switchbox, you should make sure that the connections are correct in order to prevent possible damage to the device.



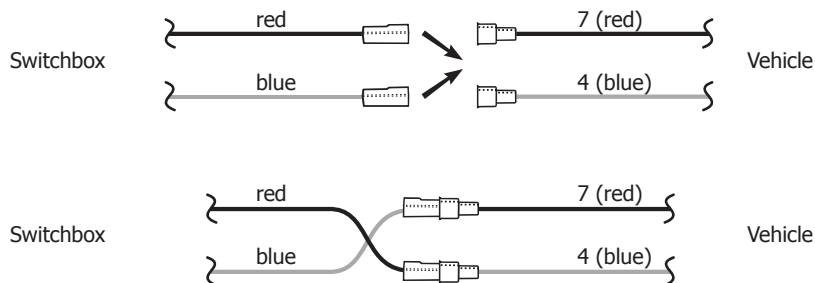
Configuration I

If the assignment of pin 7 of the ISO plug is connected to the DC Power Supply, and pin 4 is connected to the ignition, you should check if the connection looks like the connection presented on the drawing below.

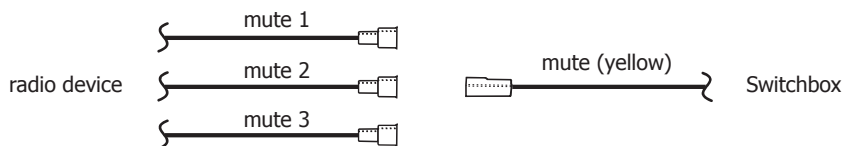


Configuration II

If the configuration of pin 7 of the ISO plug is connected to the ignition and pin 4 is connected to the power supply, you should check to see whether the connection looks like the illustration below.



In the operating manual of the radio device, you can find the pin assignment for the "mute" signal. This signal can occur on one of three cables marked with "mute1", "mute2", or "mute3".



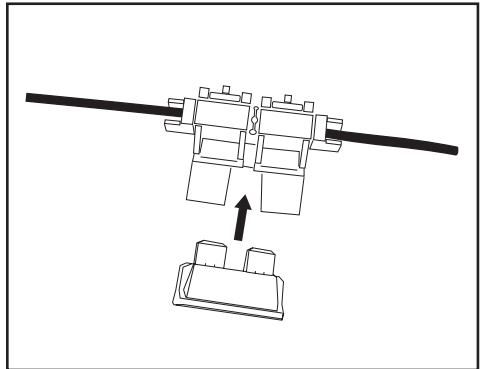
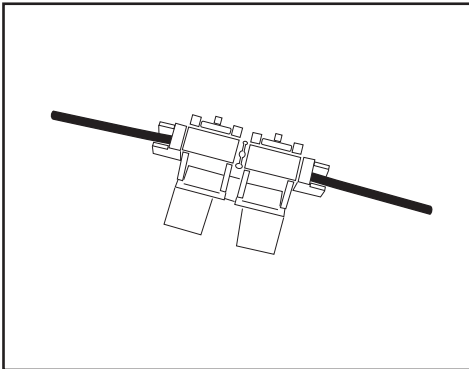
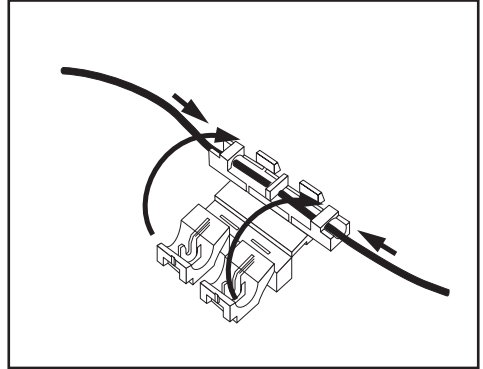
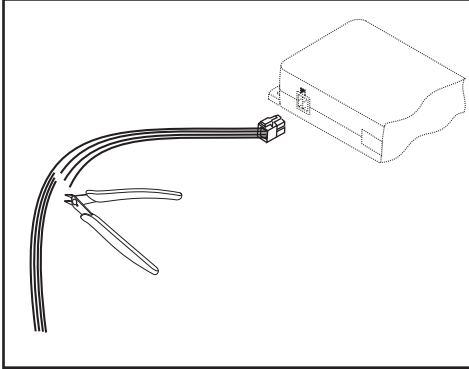
Connect the yellow "mute" cable to the switchbox using the correct cable from the car radio: "mute 1", "mute 2" or "mute3".

Attention:

► The positive wires and ignition wires are protected in the casing of the switchbox with 3A fuses. For this reason a separate fuse, as shown in the next chapter, is not necessary.

7. Installation instructions for the fuses

If you install the CC 9045 without the AC 5120 switch box then the power supply must be secured with a fuse in the way described below.



Please cut through the red, the black and the blue cable by means of a wire cutter or scissors. Now insert the two endings of the red cable resulting from the cut into one of the binders, then close it. If you hear two clicking noises, the clamp snapped in properly. Now insert one of the fuses and then repeat the procedure with the other cables.

8. Switch-on

When providing the hands-free car-kit (HFCK) with power, a long signal is audible. The HFCK tries to establish a connection for 90 seconds (depending on the number of connected telephones) to the last connected mobile telephone within reach.

9. Establishing a *Bluetooth*® connection

If you wish to establish a *Bluetooth*® connection for the first time, you have to activate the *Bluetooth*® function of your mobile phone and search for *Bluetooth*® devices. In this case search for a device labelled „comf_comp V...“. If several devices were identified, please select the HFCK and enter the PIN number 1234. The *Bluetooth*® connection (pairing) will then be established between your mobile phone and the HFCK.

If a connection has been set up, a message appears in the display of the mobile phone. If it is not possible to establish a connection, please check and update the software release of your mobile phone or of the HFCK. An overview dealing with this subject can be found on the Internet at www.bury.com. If you have questions with regard to the menu navigation, functions and operation of your mobile phone, please refer to the operating guidelines of your mobile phone. Depending on the manufacturer and type, this considerably differs from each other.

The HFCK has a memory for the storage of the identification of up to 6 mobile telephones. When the next mobile phone is connected, the oldest entry in the HFCK memory is deleted respectively.

If you wish to cancel a *Bluetooth*® connection, you can either disconnect it conveniently at the HFCK or at your mobile phone. In addition, the connection is disconnected, if you move too far away from the vehicle while taking your mobile phone with you and thus leave the reception radius of the HFCK.

Please note:

► If you disconnect the power supply of a Plug & Play hands-free car kit by unplugging the cigarette lighter jack or the fixed installation device, an active *Bluetooth*® connection is also disconnected.

The *Bluetooth*[®] connection is automatically re-established only if you re-enter the reception area of the HFCK (approx. 10 metres) and if you want to perform or receive a phone call. Exceptions hereto are some mobile telephones which only re-establish the *Bluetooth*[®] connection after the confirmation of a message. It is only possible to establish one *Bluetooth*[®] connection with a mobile telephone even if several mobile telephones which can be identified by the HFCK may be nearby. After activation of the HFCK, the kit connects to the last connected mobile phone, provided that it is in the vehicle, that the *Bluetooth*[®] function is activated, and that the pairing identification to the HFCK has not been deleted. If you want to repeat the pairing of a mobile telephone which can be identified by the HFCK but is not the last connected mobile telephone, please select the pairing identification of the HFCK in the *Bluetooth*[®] menu of the mobile phone and establish the connection. This only works after the HFCK having terminated the automatic search for the last connected mobile phone (see above).

Please note:

- ▶ Please note that the capacity of your mobile phone's storage battery can quickly decrease when the *Bluetooth*[®] function is active. If you do not want to use the *Bluetooth*[®] function anymore, e.g. if you leave the vehicle for a longer period, it is recommended to deactivate this function.
- ▶ In order to be able to use the voice dialling functions (Voice-Tags) of your mobile phone with the HFCK, the phone numbers must have been marked previously on your mobile phone in a corresponding way.

10. 3-Button Remote Control

CC 9045								
Status	Status description	Press Plus key ones	Press Minus key ones	Press Bluetooth key ones	Hold Bluetooth key for 2 seconds	Press Bluetooth key twice	Hold Plus and Minus key for 4 seconds	Hold minus key for 10 seconds
Stand-by	When HFCK is not connected with phone	-	-	Connecting with last connected phone, if not available try to connect to a phone from phone list	-	-	-	Clear phone list
Pairing	When HFCK is connecting with phone	-	-	-	-	-	-	-
Connected	When HFCK is connected with phone, no call	Volume up	Volume down	Calls phone voice tags	Disconnect HFCK and phone	Redial	Turn on / off DSP* in the phone (1 Beep is off, 2 Beeps is on)**	-
Ring	When HFCK is connected with phone and incoming call is present	Volume up	Volume down	Accept call	Rejects call	-	-	-
Active call	When HFCK is connected with phone and call is active	Volume up	Volume down	Quit call	Change car kit mode to private mode or private mode to car kit mode	Mute microphone of HFCK	Turn on / off DSP* in the HFCK (1 Beep is off, 2 Beeps is on)	-

* DSP = to filter out echoes and background noise

** depending on mobile phone

CC 9045 (A2DP connected)								
Status	Status description	Press Plus key ones	Press Minus key ones	Press Bluetooth key ones	Hold Bluetooth key for 2 seconds	Press Bluetooth key twice	Hold Plus and Minus key for 4 seconds	Hold minus key for 10 seconds
Stand-by	Phone is not connected to device with HFP, only with A2DP	Volume up	Volume down	Connecting with last connected phone, if not available try to connect to a phone from phone list	Disconnect A2DP	-	-	-
Pairing	Phone is connecting to device with HFP and connected with A2DP	Volume up	Volume down	-	-	-	-	-
Connected	Phone is connected to device with HFP and with A2DP, no call	Volume up	Volume down	Calls phone voice tags	Disconnect HFCK and phone (both profile: HFP and A2DP)	Redial	Turn on / off DSP* in the phone (1 Beep is off, 2 Beeps is on)**	-
Ring	Phone is connected to device with HFP and with A2DP, incoming call	Volume up	Volume down	Accept call	Rejects call	-	-	-
Active call	Phone is connected to device with HFP and with A2DP, active call	Volume up	Volume down	Quit call	Change car kit mode to private mode or private mode to car kit mode	Mute microphone of HFCK	Turn on / off DSP* in the HFCK (1 Beep is off, 2 Beeps is on)	-

* DSP = to filter out echoes and background noise

HFP = Hands-free Profile

A2DP = Advanced Audio Distribution Profile

** depending on mobile phone

11. Play music with A2DP

If your mobile telephone possesses the *Bluetooth*[®] profile A2DP, you can play music (e.g. MP3 files) in stereo quality via the HFCK. It is important to play the music title selected respectively on the HFCK via the function ,play via...`.

As the menu navigation of the manufacturers of mobile telephones differs considerably, the designation of the selection ,...*Bluetooth*[®]-stereo-headset` may vary. Please read the mobile's user manual to know how to establish an A2DP connection with another system.

If you want to use a second mobile phone for music playback only, then this phone must also be connected to the hands-free car kit beforehand.

Note:

► You have to install a special adapter cable to the AUX-Out connector (2) of the hands-free car kit electronic box and the sound system of the car.

12. Service

In case of general or technical queries, suggestions and comments, please do not hesitate to contact our team at any time. Suggestions and feedback are always welcomed:

BURY GmbH & Co. KG
Robert-Koch-Straße 1-7
32584 Löhne

Hotline: +49(0)180 5 - 842 468*

Faxline: +49(0)180 5 - 842 329*

* 0.14 €/min. Deutsche Telekom AG landline

E-Mail: hotline@bury.com

Service desk:

In case of complaints, please return the product directly to our service desk:

BURY GmbH & Co. KG
Im Hause DPD Depot 103
Robinienweg
D-03222 Lübbenau

Notes on the disposal of electronic devices

In compliance with the German law on electric and electronic devices, old electric and electronic devices must not be disposed of together with domestic garbage in Germany, beginning March 24, 2006. If you want to dispose of an old electric or electronic device you are required to take it to a designated collection point ("point of acceptance" or "communal collection point"). There old electric and electronic devices are taken back free of charge.

Version 06/2009
25.1150.0-01-220609

Subject to change. Errors and omissions excepted.